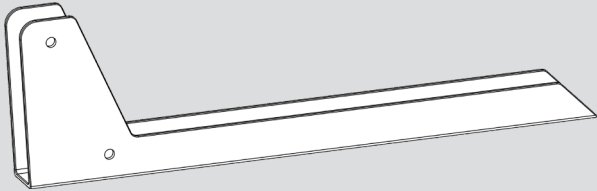
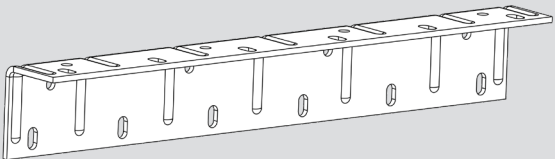
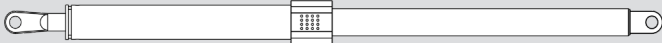


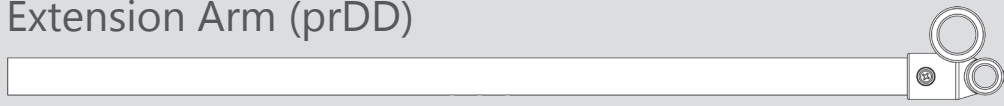
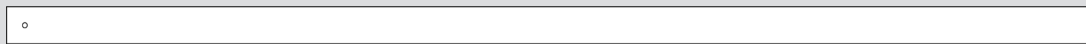

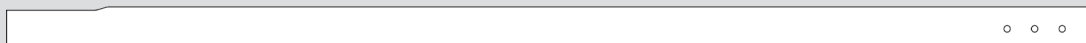
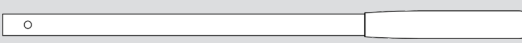


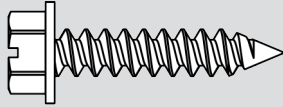
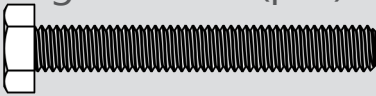
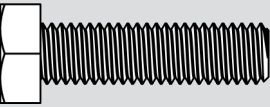
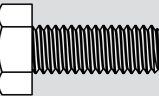
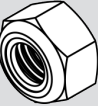




# COVERVALET™ PRO






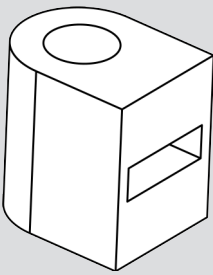
PREMIUM HOT TUB COVER LIFTER

# PARTS

<p><b>2x</b></p>  <p>Channel Bracket (prBB)</p>	<p><b>2x</b></p>  <p>Side Mount Bracket (prAA)</p>
<p><b>1x</b></p>  <p>Locking Gas Shock (prLS)</p>	<p><b>1x</b></p>  <p>Regular Gas Shock (prRS)</p>
<p><b>2x</b></p>	<p>Pivot Arm (prCC)</p> 
<p><b>2x</b></p>	<p>Extension Arm (prDD)</p> 
<p><b>2x</b></p>	<p>Connection Bar 1 (prEE-a)</p> 
<p><b>1x</b></p>	<p>Connection Bar 2 (prFF-a)</p> 
<p><b>1x</b></p>	<p>Connection Bar 3 (prFF-b)</p> 
<p><b>2x</b></p>	<p>Finger (prEE-b)</p> 

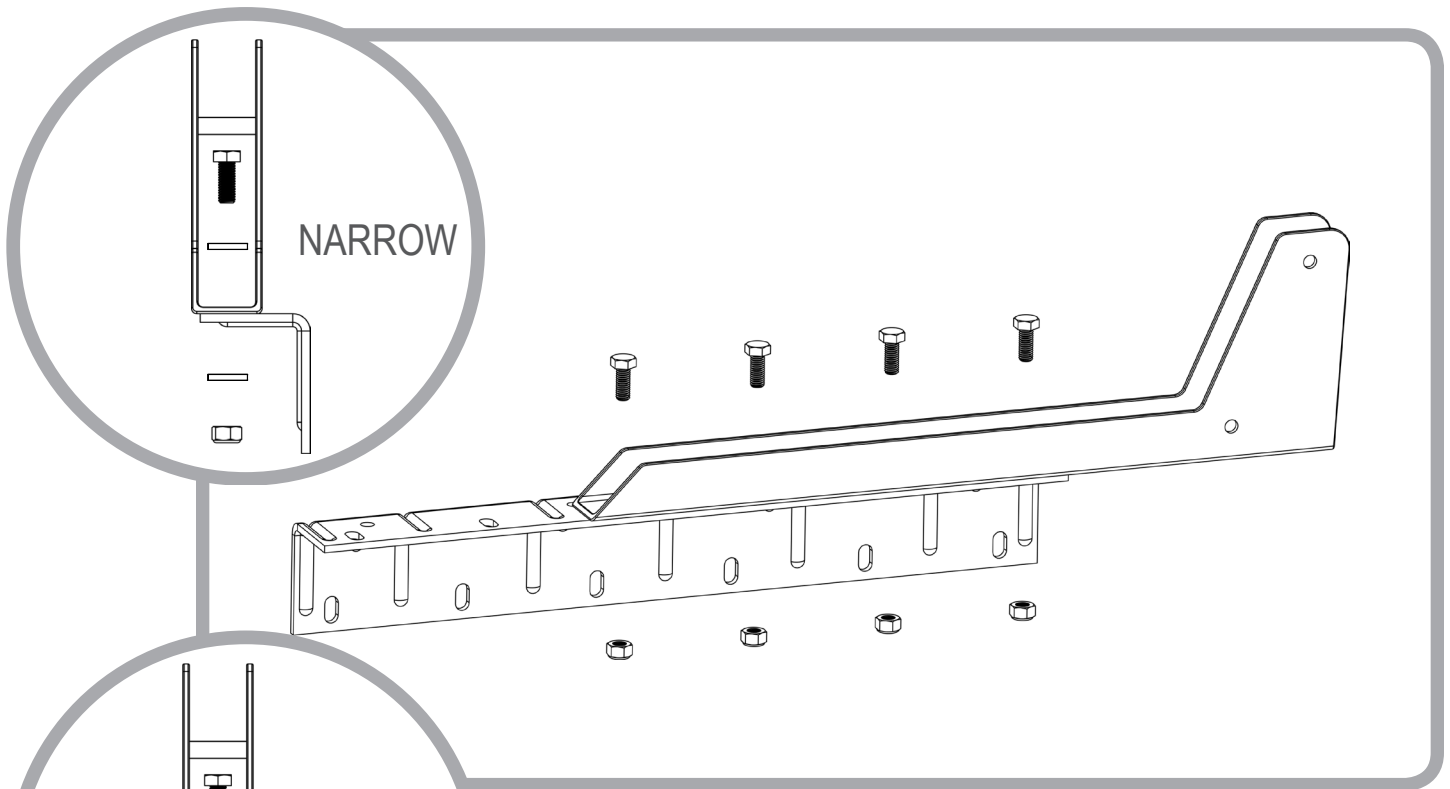
# HARDWARE

<b>10x</b>	Lag Screw (prA) 
<b>4x</b>	Long Hex Bolt (prB) 
<b>2x</b>	Medium Hex Bolt (prC) 
<b>10x</b>	Short Hex Bolt (prD) 
<b>12x</b>	Large Lock Nut (prE) 
<b>4x</b>	Small Lock Nut (prF) 
<b>16x</b>	Self Tapping Screw (prG) 
<b>4x</b>	Set Screw (prH) 
<b>4x</b>	Screw Sleeve (prI) 

<b>24x</b>	Large Screw Cap (prJ) 
<b>28x</b>	Medium Screw Cap (prK) 
<b>16x</b>	Small Screw Cap (prL) 
<b>24x</b>	Large Washer (prM) 
<b>8x</b>	Small Washer (prN) 
<b>2x</b>	Plastic Support (prPS) 

# STEP 1

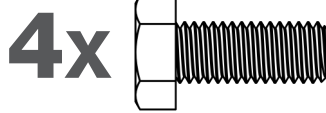
## ASSEMBLING BRACKET



NARROW

WIDE

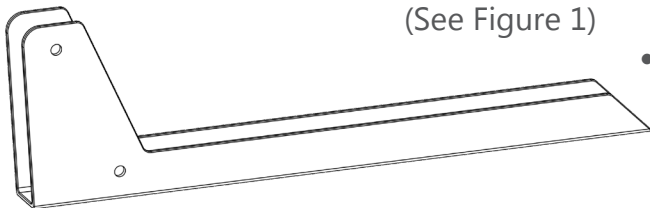
Figure 1



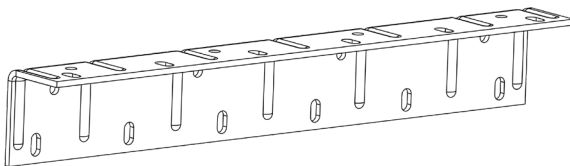
**Note: The Side Mount Bracket (prAA) has a wider side and a narrower side. If your cover is extra wide mount the Channel Bracket (prBB) so the wider side extends outward.**

(See Figure 1)

**1x**



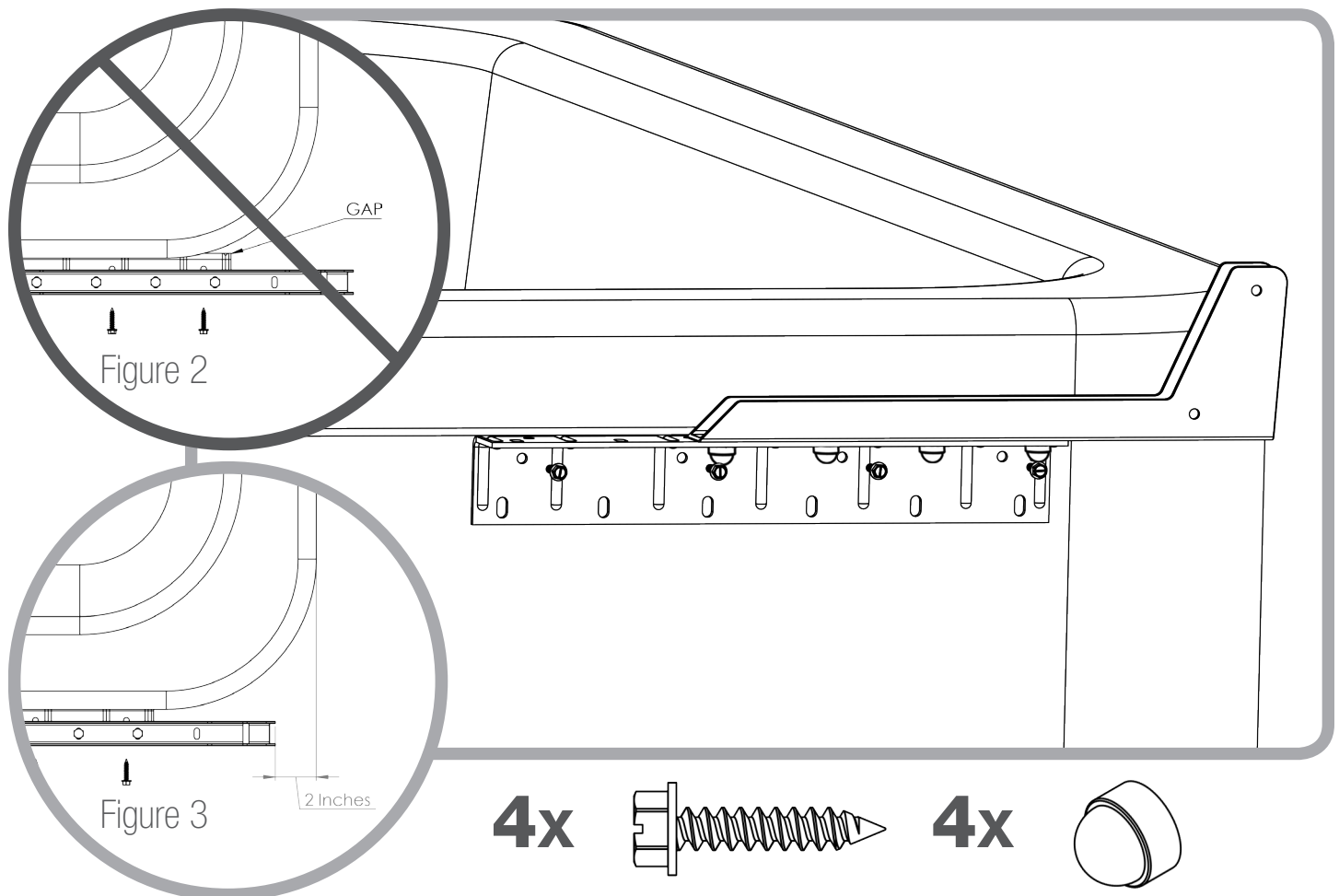
**1x**



- Line up the slotted holes on the Channel Bracket (prBB) to the Side Mount Bracket (prAA) and bolt them together using at least 4 Short Hex Bolts (prD), 8 Large Washers (prM), and 4 Large Lock Nuts (prE). The Channel Bracket (prBB) should hang over the edge of the Side Mount Bracket (prAA).

# STEP 2

## MOUNTING BRACKET

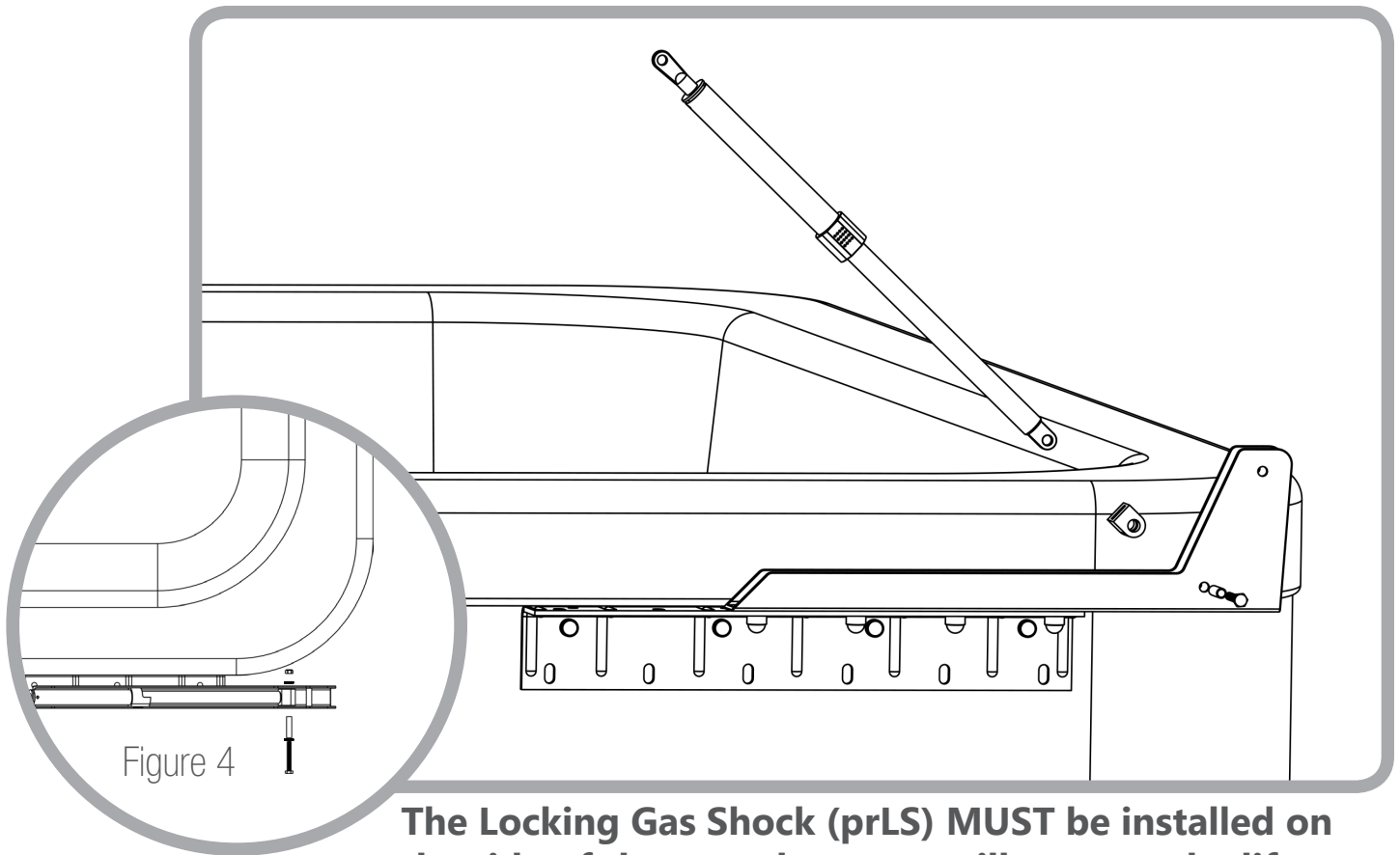


- Place the assembled bracket against the side of the spa. The Side Mount Bracket (prAA) must be flush with the side of the spa. **DO NOT** allow the Side Mount Bracket (prAA) to hang over the rounded edge. (See **Figures 2 and 3**)
- The rear edge of the Channel Bracket (prBB) should be 2 inches from the rear edge of the acrylic (See **Figure 3**). The top of the Side Mount Bracket (prAA) should be flush with the top of the spa cabinet.
- Use 4 Lag Screws (prA) to mount the Side Mount Bracket (prAA) to the side of the spa.
- Cover the Lag Screws (prA) with Small Screw Caps (prL)

**REPEAT STEPS 1 AND 2 ON THE OPPOSITE SIDE OF THE TUB**

# STEP 3

## INSTALLING SHOCKS

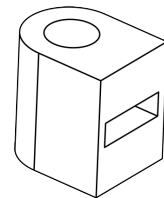


**The Locking Gas Shock (prLS) MUST be installed on the side of the spa where you will operate the lift.**

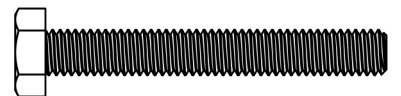
- Place the piston end of the Locking Gas Shock (prLS) into the Plastic Support (prPS)
- Fasten the Locking Gas Shock to the Channel Bracket (prBB) using the Long Hex Bolt (prB), the Screw Sleeve (prI), the Small Lock Nut (prF), and 2 Small Washers (prN) as shown in **Figure 4**.
- Place Medium Screw Caps (prK) over the Small Lock Nut (prF) and Long Hex Bolt (prB)

**REPEAT STEP 3 FOR THE OPPOSING SIDE USING THE REGULAR GAS SHOCK (prRS)**

**1x**



**1x**



**1x**



**1x**



**2x**

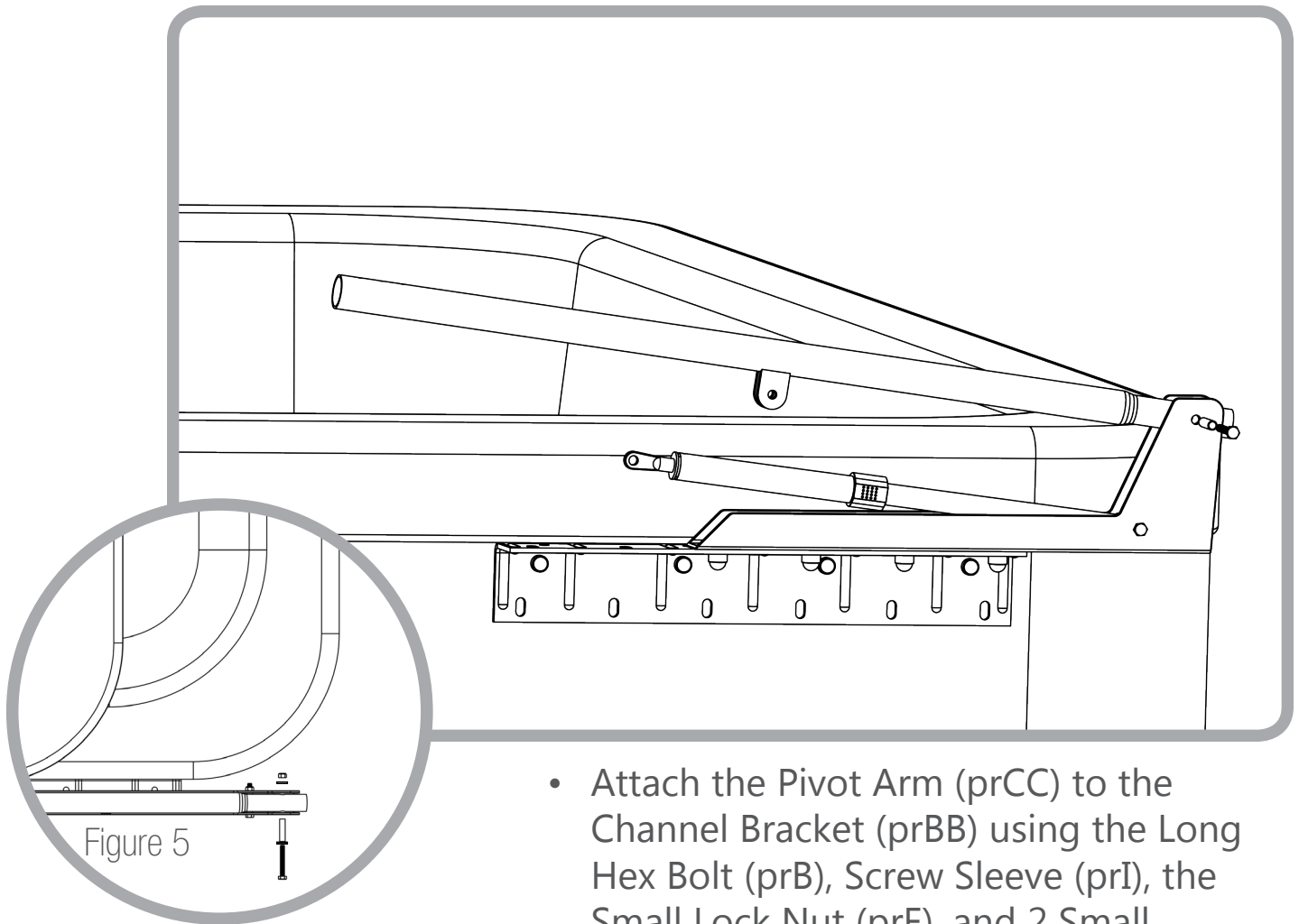


**2x**

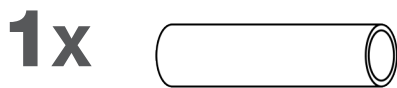
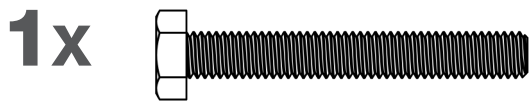


# STEP 4

## INSTALLING PIVOT ARM



- Attach the Pivot Arm (prCC) to the Channel Bracket (prBB) using the Long Hex Bolt (prB), Screw Sleeve (prI), the Small Lock Nut (prF), and 2 Small Washers (pN). (See **Figure 5**)
- Ensure that Pivot Arm (prCC) swings up and down easily.
- Place Medium Screw Caps (prK) over the Small Lock Nut (prF) and the head of the Long Hex Bolt (prB)



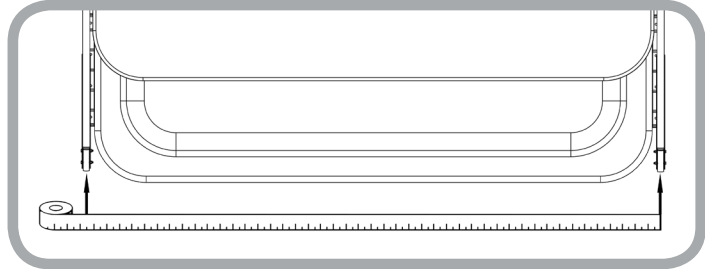
**REPEAT STEP 4 ON THE OPPOSING SIDE**

# STEP 5

## ASSEMBLING CONNECTION BAR

**Depending on the width of your spa this step will vary.**

Start by measuring the distance between the Channel Brackets(prBB) mounted on the spa.



### UNDER 6½ FT

**2x**

**1x**



- Each Connection Bar 1 (prEE-a) will slide inside each end of Connection Bar 2 (prFF-a). Make sure that the single holes in each Connection Bar 1 face outward and are oriented in the same direction.
- Using Self Tapping Screws (prG), screw the bars together at a length matching the distance between the Channel Brackets(prBB).

### OVER 6½ FT

**2x**

**1x**

**1x**

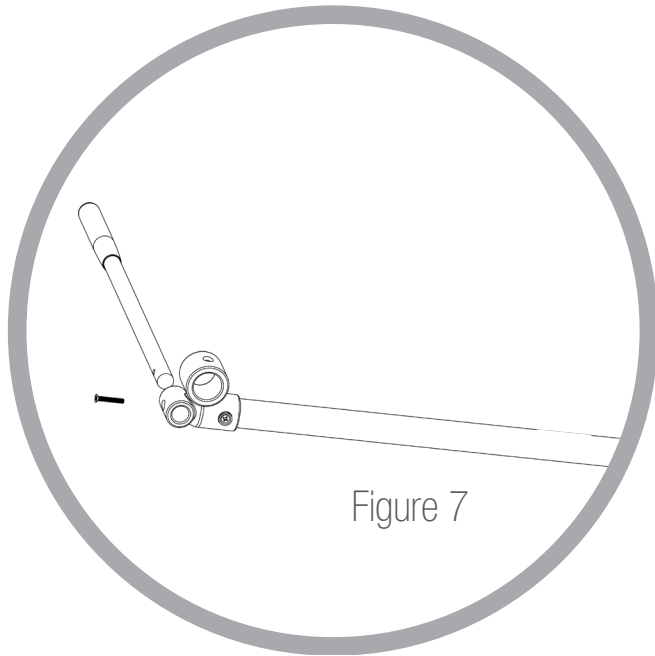



- Insert the tapered end of Connection Bar 3 (prFF-b) into Connection Bar 2 (prFF-a) and secure using 3 Self Tapping Screws (prG).
- Slide each Connection Bar 1 (prEE-a) into the ends of the attached bars. Make sure that the single holes in each Connection Bar 1 face outward and are oriented in the same direction.
- Using Self Tapping Screws (prG), screw the bars together at a length matching the distance between the Channel Brackets(prBB).



# STEP 6

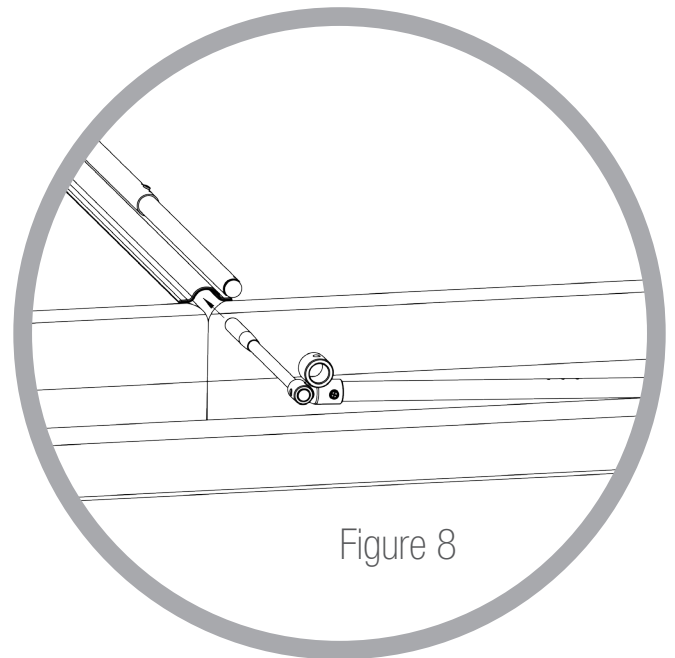
## ASSEMBLING THE COVER LIFTER A



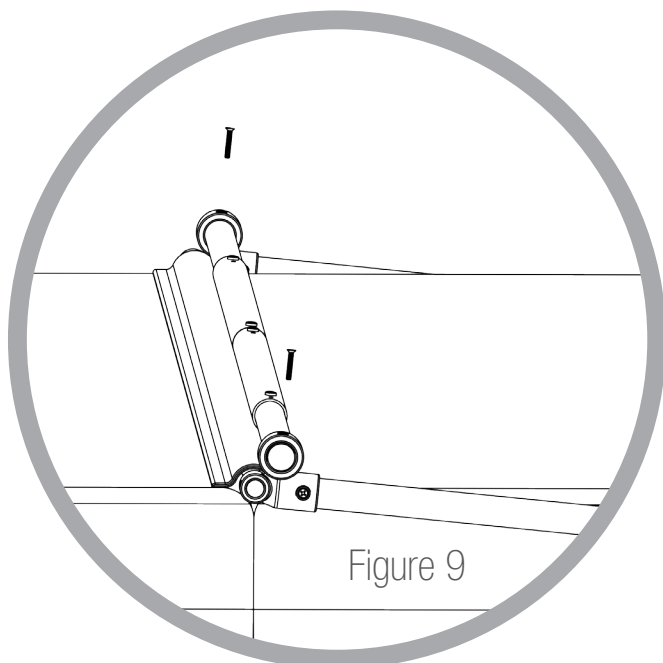
**2x** 


- Insert Finger (prEE-b) into the hole on the Extension Arm (prDD) so it extends inward toward the tub. Fasten with Set Screw (prH) as shown in **Figure 7**.

**REPEAT THIS STEP ON THE OTHER EXTENSION ARM. BE SURE TO MOUNT THE FINGER FACING THE OPPOSITE DIRECTION.**



- Slip the Fingers (prEE-b) under the seam in the middle of the spa cover. The larger hole of the Extension Arm (prDD) should be facing Up. See **Figure 8**



**2x** 

- Insert both ends of the assembled connection bar from Step 5 into the larger holes of the Extension Arm (prDD) Plastic Support (prPS) and fasten them using Set Screws (prH) as shown in **Figure 9**.

# STEP 7

## ASSEMBLING THE COVER LIFTER B

**\*You will need at least one person to help hold the cover during this step**

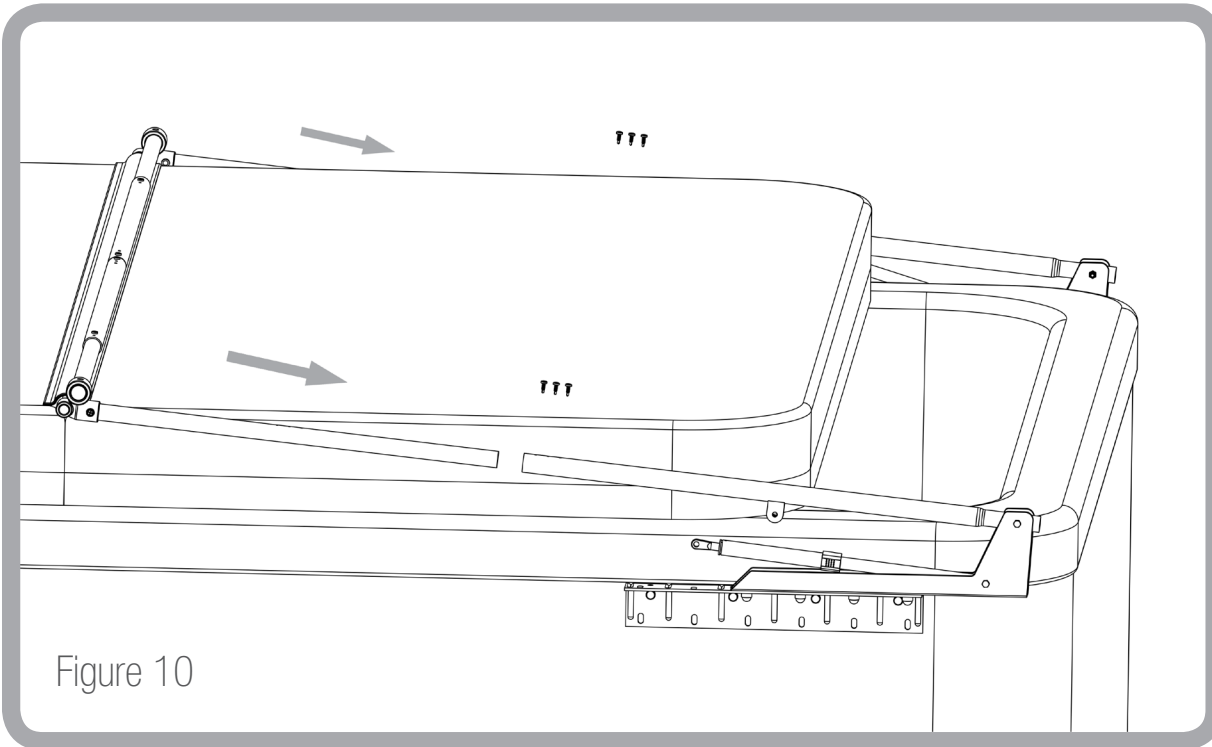




Figure 10

**6x**  **6x** 

- Slide the Extension Arms (prDD) into the Pivot Arms (prCC), making sure to center the spa cover over the spa. See **Figure 10**.
- Once the spa cover has been centered, fasten the Extension Arm (prDD) to the Pivot Arm using Self Tapping Screws (prG). Cover with Small Screw Caps (prH).
- If your cover has locking clips that hold it down when closed, fasten them on the end of the spa where the cover rests while folded. See **Figure 11**.

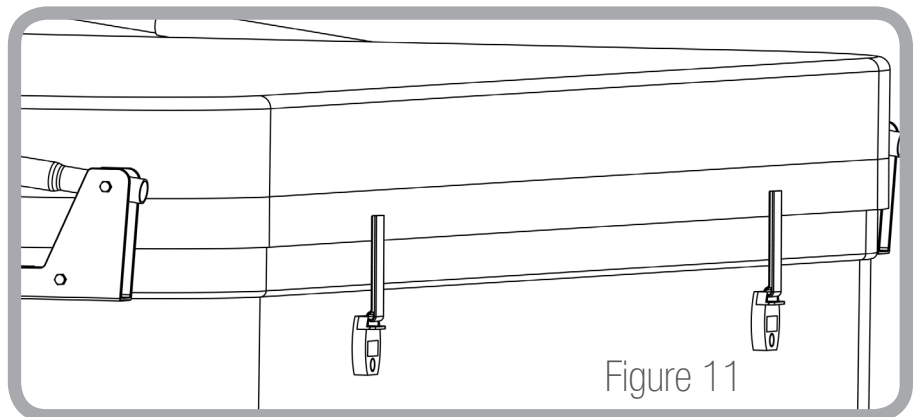
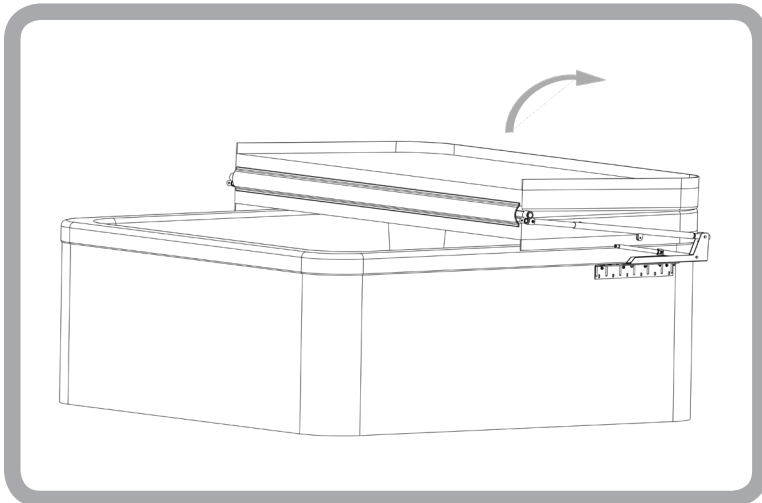


Figure 11

# STEP 8

## ATTACH SHOCK TO COVER LIFTER

**\*You will need at least one person to help hold the cover during this step**



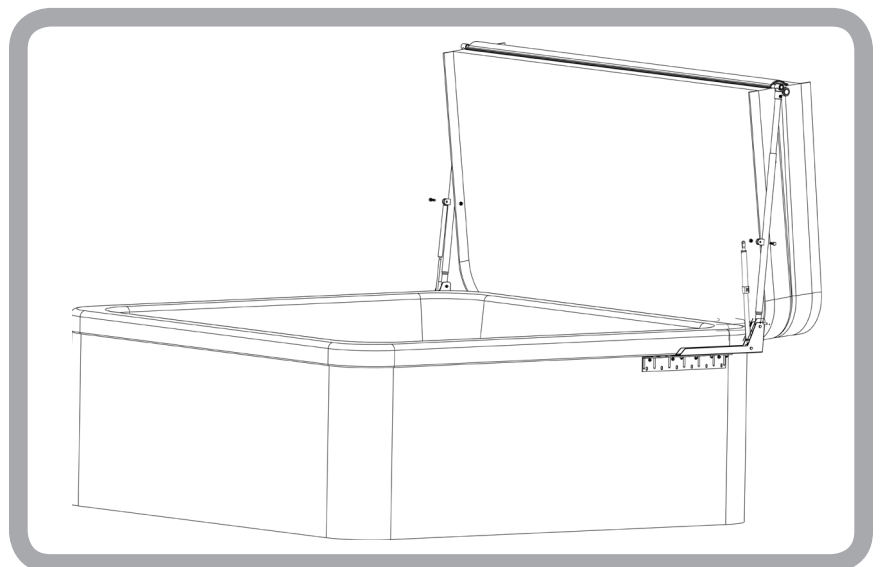
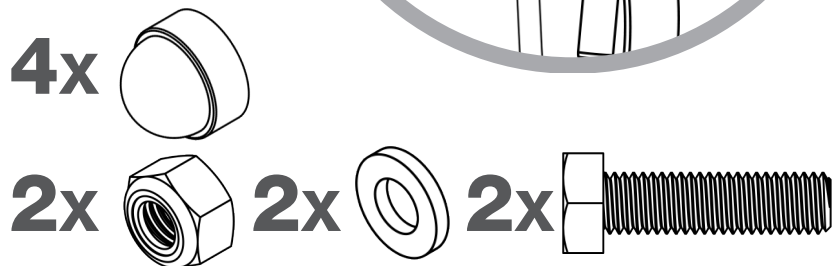
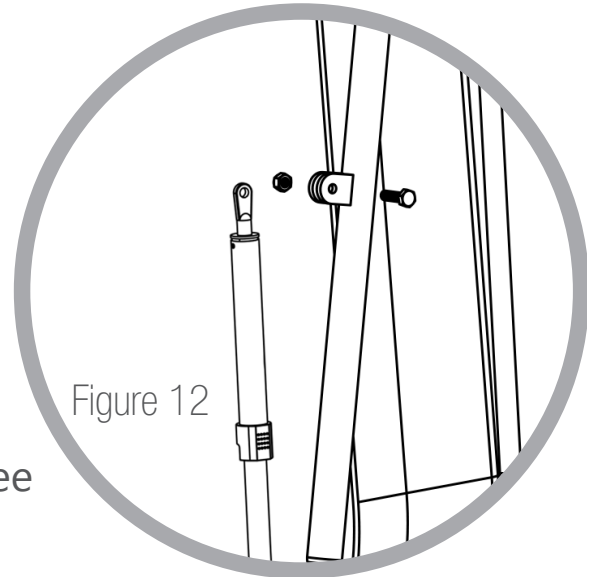
- Fold Back the spa cover then manually lift the Cover Valet and spa cover to the upright position.

- With the cover vertical, attach the Locking Gas Shock (prLS) to the Pivot Arm (prCC) with a Medium Hex Bolt (prC), 2 Large Washers prW), and Large Lock Nut (prE). See **Figure 12**

Repeat this step on the other side of the spa with the Regular Gas Shock (prRS)

**! IMPORTANT:** When closing the cover with the Cover Valet, make sure you press the green button on the Locking Gas Shock (prLS). This will disengage the locking mechanism and allow you to lower the cover back onto the spa.

**FAILURE TO DISENGAGE THE LOCKING MECHANISM WHEN CLOSING THE COVER WILL DAMAGE YOUR COVER VALET AND VOID ITS WARRANTY.**



# CALIFORNIA HOME SPAS, INC.

## COVER VALET PRO 5-YEAR LIMITED WARRANTY

Any Cover Valet PRO shown to be unserviceable due to defects in materials or workmanship within 5 years from the date of purchase will have any affected parts repaired or replaced at the option of California Home Spas, Inc., without charge for materials. This warranty excludes any associated labor and freight costs.

### EXCLUSIONS:

- A. This warranty does not cover damage incurred by the use of the Cover Valet and/or the spa cover, other than in accordance with the printed literature provided by California Home Spas, INC.
- B. Defects in components of any part, which are not part of the Cover Valet.
- C. Misuse, abuse, negligence, accident, or alterations other than authorized by California Home Spas, INC.
- D. Improper installation, normal fading and minor deterioration caused by exposure to the sun, rain, chemicals or environmental factors.
- E. Use of solvents, abrasive cleaners or brushes, and strong detergents.
- F. Gas shock: 1 year.

**Except as expressly provided, there shall be no additional Warranty obligation, expressed or implied**

### ADDITIONS:

- A. California Home Spas, INC. shall not be liable for consequential damages or incidental expenses resulting from any breach of the before mentioned warranties.
- B. This warranty gives you specific legal rights and you may have other rights which can vary in different states and countries.
- C. Any dispute between the Buyer and California Home Spas, INC. pertaining to this warranty may, at the option of the Buyer, be resolved in the State of California, USA, in according to the rules of the American Arbitration Association.
- D. Should any one or more of the terms, provisions, covenants, or conditions of this warranty be determined void, invalid, illegal, or unlawful in any respect, then it shall be so, however it will not affect any of the other terms or provisions of this warranty and the remainder hereof shall still be in effect.

California Home Spas, Inc.

Cover Valet 5-Year Limited Warranty

---

### COVER VALET WARRANTY REGISTRATION FORM

Complete and return within (10) days. Please type or print clearly. Incomplete and/or unreadable forms may not be registered.

You can also register your warranty online at [www.covervalet.com](http://www.covervalet.com)

Owners Name: \_\_\_\_\_

Address: \_\_\_\_\_

Phone Number: (        ) \_\_\_\_\_

E-Mail Address: \_\_\_\_\_

Date of Purchase: \_\_\_\_\_ . Dealer's Name: \_\_\_\_\_

How did you hear about us?

1. Dealer \_\_\_\_\_ . 4. Home Show \_\_\_\_\_ . 7. Other \_\_\_\_\_ .

2. Showroom Display \_\_\_\_\_ . 5. Magazine \_\_\_\_\_ . 8. Internet (website) \_\_\_\_\_

3. Friend \_\_\_\_\_ . 6. T.V. \_\_\_\_\_ .

For more information, Please contact us at: Cover Valet Toll free: 1-800-730-7727

1621 East Spring Street. International: (001) (562) 283-0595

Visit us at: [www.CoverValet.com](http://www.CoverValet.com) Long Beach, CA. 90806 USA E-mail: [Questions@covervalet.com](mailto:Questions@covervalet.com)

