

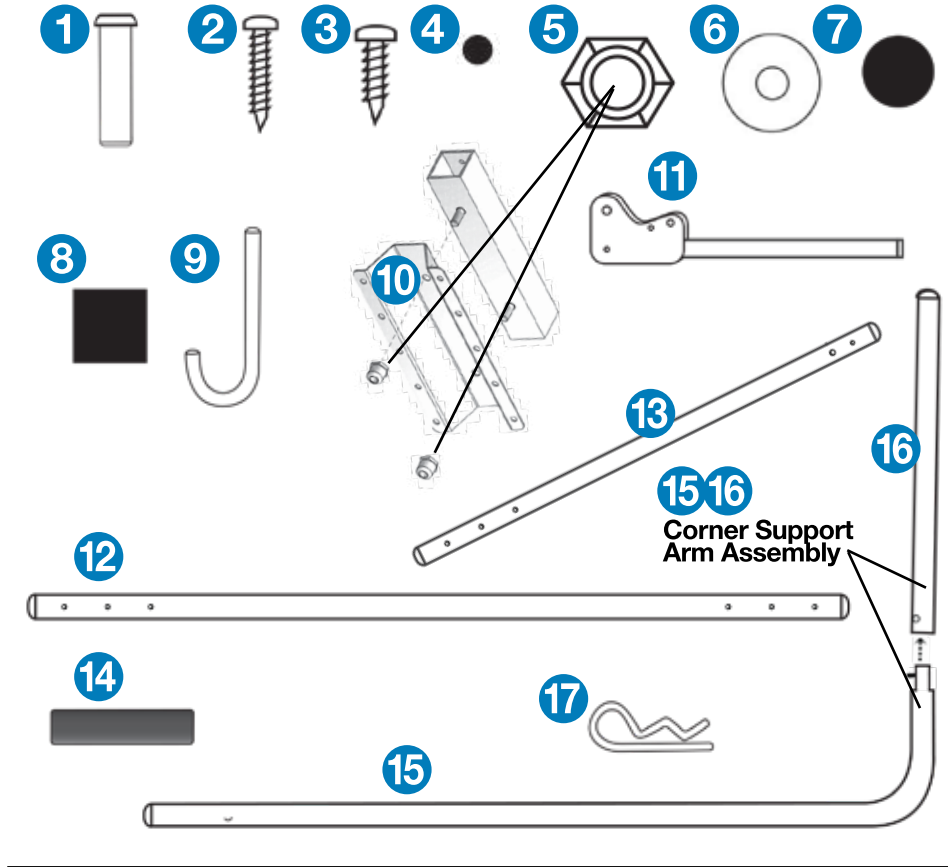
How to install your Ultralift Standard Mount Cover Lifter



This is your step by step guide to installing the Ultralift Standard Mount Cover Lifter on to your hot tub or spa. Begin by opening the box your cover lifter came in and check the contents against the installation guide to ensure you have all the components required.

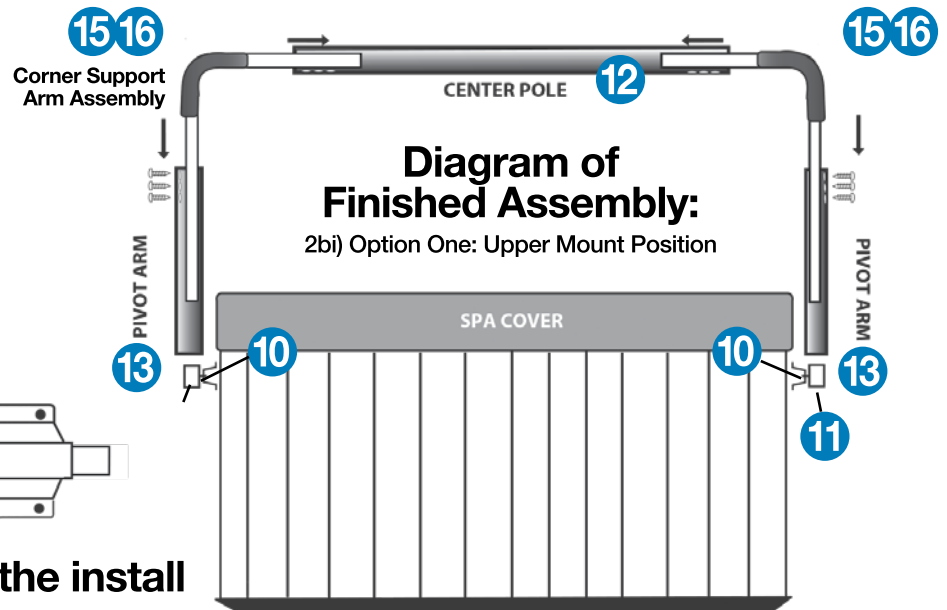
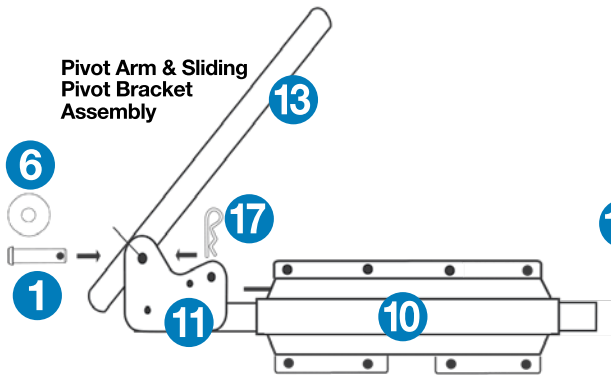
PARTS LIST:

- 1 2X Bolt Pins
- 2 20X No.10 - 1 1/4 inch Cross Slot or Phillips Wood Screws
- 3 26X No.10 - 5/8 inch Cross Slot or Phillips Self-Tapping Screws
- 4 46X Black Plastic Screw Head Caps
- 5 4X 5/16 inch NYLON Lock Nuts
- 6 4X NYLON Washers
- 7 2X Round Black Plastic Caps
- 8 2X Square Black Plastic Caps
- 9 1X "J" Hook Pin (3 3/4" in Length)
- 10 2X Mounting Bracket Assemblies (including the Slim Top Bracket)
- 11 2X Sliding Pivot Brackets
- 12 1X Centre Pole
- 13 2X Round Pivot Arms
- 14 2X Foam Grips
- 15 2X Corner Support Arms
- 16 2X Short Support Arms
- 17 2X Clevis (Cotter) Pins



TOOLS LIST:

- 6 Foot Tape Measure
- Ratchet Wrench
- 5/16" Socket Bit
- 5/16" Open End Wrench
- Cordless Power Screwdriver or drill
- A number of Cross Slot or Phillips screw driver bits.
- Needle Nose Pliers
- Small Flat Head Screwdriver



Now you are set to start the install of your new Cover Lifter...

Step One:

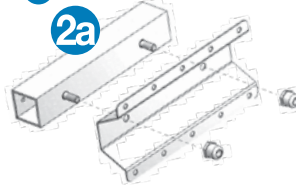
- 1a) Ensure that the hot tub is 16 inches or more out from any wall, obstruction or fence this provides ample clearance for your cover to sit into once your cover lifter is installed.
- 1b) Then place your hot tub cover squarely over the hot tub and in the position you would like it to open. We recommend that you have your cover open from the equipment pack (Topside Control) end. This ensures that you are not mounting brackets to doors or panels that may need to be removed to access heater and pumps.
- 1c) Then insert the two (2) Plastic Square Caps **8** into the ends of the Sliding Pivot Brackets **11**
- 1d) Now insert the two Round Plastic Caps **7** into the open ends of the two (2) Round Pivot Arms where there are 2 holes and not the end with three holes.
- 1e) Install the Foam Grips **14** onto the Corner Support Arms **15**, first lubricating the interior of the foam grips for easier application. **Installation Tip:** Rub the inside rim of the foam grips with dish soap to lubricate them making it easier to slide them into place.
- 1f) Assemble the Corner Support Arm **15** inserting it into the Short Support Arm **16** using three (3) No. 10 5/8 Self Taping Screws **3**. Repeat this assembly for the opposite side of the hot tub.



Step Two:

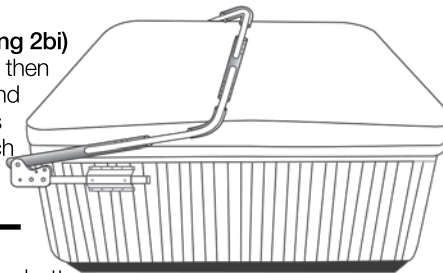
With your cover in the closed position begin the next step...

- 2a) Assemble the two-piece Mounting Bracket **10** using two 5/16 inch Nylon Lock Nuts as shown **5**.
- 2b) **Its time to choose the location of the mounting brackets there are three options to choose from...**



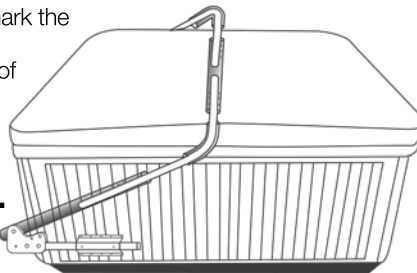
2b) Option One: Upper Mount Position (Drawing 2bi)

If you want your cover to act as a privacy wall then mount the bracket just below the Acrylic lip and at the edge of where the corner radius begins and install bracket using the supplied 1 1/4 inch No.10 Wood Screws **2**. Repeat the same process on the opposite side of the hot tub.



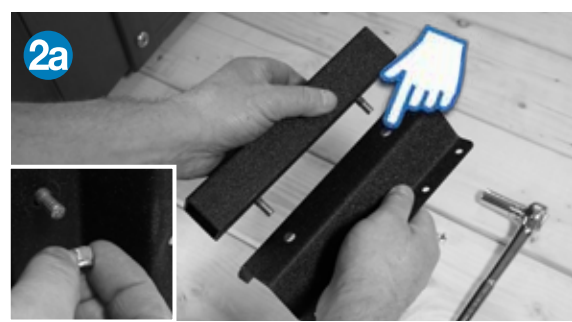
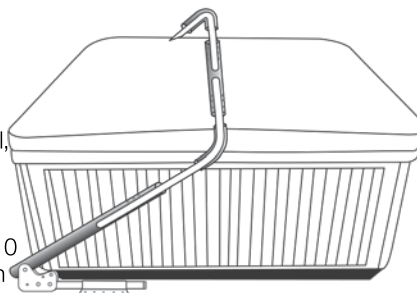
2bii) Option Two: Mid Mount (Drawing 2bii)

This option requires that you measure from the bottom lip of the acrylic to the bottom of the tub then mark the half way point. Then place the bottom of your mounting bracket at this mark and at the edge of where the corner radius begins. Install bracket using the supplied 1 1/4 inch No.10 Wood Screws **2**. Repeat the same process on the opposite side of the hot tub.



2biii) Option Three: Deck Mount (Drawing 2biii)

It is exactly that a deck mount. You can rotate your bracket and mount it directly to your deck or a gazebo floor. This will require greater clearance space behind the hot tub if there is a wall, fence or similar structure restricting removal of the cover. A minimum of 16 inches between the rear wall of the hot tub and any wall, fence or structure is needed to accommodate this install to function properly. We recommend predrilling the holes with a 1/16" drill bit. Install bracket using the supplied 1 1/4 inch No.10 Wood Screws **3**. Repeat the same process on the opposite side.



Step Three:

- 3a) This step applies to all the Mounting Bracket positions, insert the Sliding Pivot Bracket **11** into the Mounting Bracket **10** as shown and position it so the back of the Sliding Pivot Bracket lines up with the back edge of the hot tub.
- Hint:** Use the Center Post **12** as a straight edge to mark the back edge of the hot tub and slide the Sliding Pivot Arm back till it touches the Centre Post.
- 3b) Then secure both Sliding Pivot Brackets **11** using the No.10 5/8 inch Self-Taping Screws **3**.



Step Four:

- 4a)** Place the Center pole across the tub along the cover fold. **Note:** For first two installation options the top mount position and the Mid Mount, you slide the long end of the Corner Support Arm **15 16** Assembly into the Center Pole **12** and repeat this on the opposite side. For the third, deck installation, you use the shortened end of the Corner Support Arm **15 16** Assembly.
- 4b)** This step applies to all the Mounting Bracket positions, slide the Pivot Arm **13** over the Corner Support Arm, then align the hole at the end of the Round Pivot Arm **13** with the hole in the Sliding Pivot Bracket **11**.
- 4c)** Position the Nylon Washers **6** on either side of the Pivot Arm **13** between the arm and the Sliding Pivot Bracket **11**, then secure them into place by sliding through the Bolt Pin **1** and secure that pin into place using the Clevis Pin **17** (cotter pin). Repeat this step on the opposite side of the hot tub.
- 4d)** Once this is complete check to make sure that the Center Pole **12** that crosses over the cover runs parallel and 1 inch back of the center folding seam. Also ensure that the Pivot Arms are 1.5 inches out from the cabinet on both sides of the hot tub.

Step Five:

- 5a)** Once Step 4d) is confirmed, secure the Pivot Arms **13** to the Corner Support Arms **15 16** Assembly using three No.10 5/8" inch Self-Taping Screws **3** and repeat on the other side of the hot tub.
- 5b)** Now place a protective layer of card board under the Center **12** Pole and rotate the Center Pole so that the screw holes are facing the rear of your hot tub - not on the top or the bottom of the pole once in position secure the arm using three No.10 5/8" inch Self-Taping Screws **3**. Repeat this step on the opposite end of the Center Pole.

Step Six:

You are almost there...

- 6a)** Cover the Self-Taping Screws **3** and Wood Screws **2** with the Black Plastic Covers **7** that snap over the heads of each screw, finishing the look.
- 6b)** Then install the J-Hook **9** into the Sliding Pivot Bracket **11** in the Open Position Hole with the cover up this ensures some added safety and when the cover is down move the J-Hook to the Closed Position Hole.

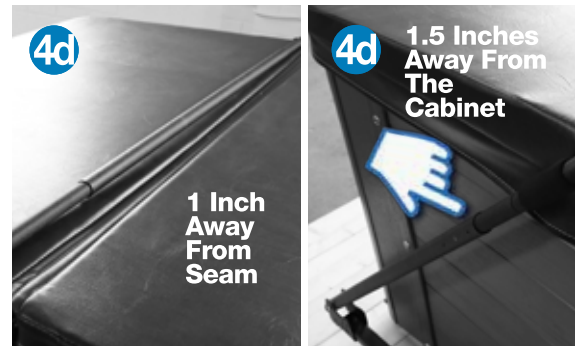
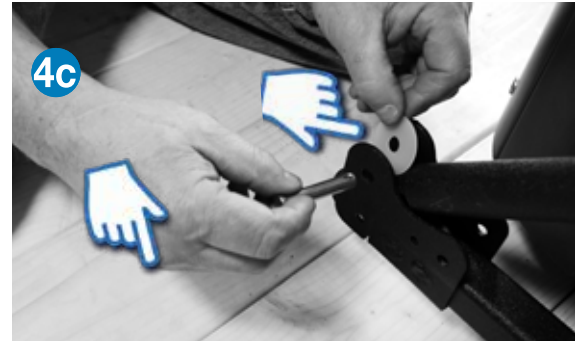
SAFETY TIP: The J-Hook should always be inserted into the Pivot Bracket when the hot tub cover is opened, for added safety, and removed to close the cover.

You have now installed your Ultralift Standard Mount Cover Lifter.

Remember... to always fold back your cover before using the Cover Lifter to lift the cover into its final resting place.



This ensures a longer life for your cover and Cover Lifter extending your enjoyment of your hot tub.



Ultralift Standard Mount Cover Lifter Warranty



THE WARRANTY:

SMP Specialty Metal Products Inc. warrants to you (the original purchaser) for the stated warranty term of FIVE YEARS (60 Months) from the original date of purchase, to be free from defects in material and workmanship.

Ultralift Cover Lifters will be free from defects in materials or workmanship that would cause the lifter to be inoperable in normal working conditions. Any claim made within these terms for Five years from the date of purchase will be repaired or replaced at the option of the Manufacturer.

This is a 100% Non-Prorated Warranty on all parts for the full 5 years. Only parts excluded from the warranty are the gas springs which include a 100% One Year Warranty.

EXCLUSIONS TO WARRANTY

- Lifter has been subjected to alteration, misuse or repairs by anyone other than an authorized representative of the Manufacturer, unless written approval is provided
- Damage caused by improper installation or during transportation from the seller to the purchaser
- Any damage resulting from any misuse, abuse, negligence, accident or alteration, environmental, or use during high winds.

The warranty covers the operational use of the lifter but does not cover scratches, abrasions, rusting or any defects to the finish of the material caused by or resulting from the exposure to the environmental factors; i.e. sun, rain, chemicals or any defects resulting from normal fading or minor deterioration.

The warranty does not cover damage resulting from abuse or accidents, including but not limited to the following damage:

- Use of abrasive or unapproved cleaners that could cause surface damage
- Subjection to solvents or other chemicals which could deteriorate painted surfaces
- Use for any other purpose than as a Spa or Hot tub cover lifter

MAKING A CLAIM:

To make a warranty claim; in the event of a defect covered by this warranty for Ultralift, contact the original retail seller and provide original purchase receipt, any photo(s) clearly showing the defect(s) and an explanation. **NO RETURNS OF MERCHANDISE WILL BE ACCEPTED UNTIL A "RETURN AUTHORIZATION NUMBER" HAS BEEN ISSUED.**

The lifter will be repaired or replaced at the discretion of the Manufacturer. If necessary, the purchaser is responsible to ship any said parts back to the manufacturer. The warranty includes all Labor costs performed at the manufacturer's facility but not labor in the field. SMP will cover the cost(s) to repair and/or replacement of the items back to the retailer or seller.

FREIGHT DAMAGE:

Any materials damaged in freight will be replaced by SMP Specialty Metal Products provided the purchaser files the appropriate claims form with the carrier, and submits copies to the manufacturer within five (5) business days of receiving the damaged merchandise. All claims should also be reported to the seller.

Consequential Damages:

SMP Specialty Metal Products Inc. will not be liable for any loss, expense, or damage other than to Ultralift, that may result from a defect in materials or workmanship. This warranty does not cover incidental damages including damage to property or injury arising from the use or inability to use this product. Manufacturer or Seller shall in no event be liable for any amount in excess of the original purchased amount. (Some Provinces / States do not allow the exclusion or limitation of incidental or consequential damages, so the above mentioned limitation may not apply to you).

It is important that you report to the Retailer from whom you purchased Ultralift, any defects as soon as they are detected. If it is impractical to report any defects to the Retailer,

CONTACT SMP Specialty Metal Products Inc. 326 Watline Avenue, Mississauga, Ontario Canada, L4Z 1X2;
Phone: 1-800-597-1343, Email: info@theUltralift.com