

# Cover EX-SD Installation Instructions

For Spas with 8"-9" Radius Corners

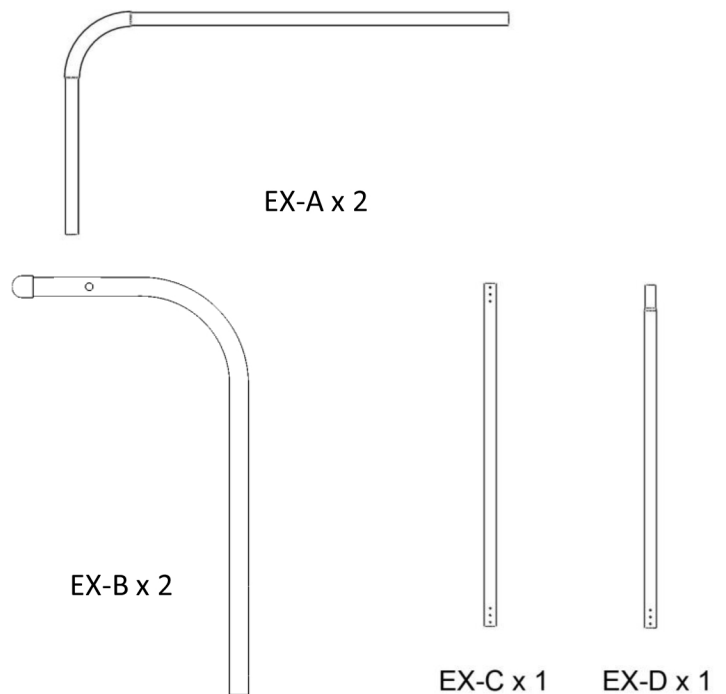
1. Lay out all the parts and verify that they are all present according to the Cover EX-SD Parts and Hardware List. See Fig 1.

## COVER EX-SD PARTS AND HARDWARE LIST

Call 800-730-7727 for all replacement and special order parts.

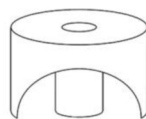
8am – 4pm PST Monday - Friday

ITEM	DESCRIPTION	QTY
EX-A	SUPPORT ARM	2
EX-B	PIVOT ARM	2
EX-C	CENTER COUPLER	1
EX-D	CENTER COUPLER EXT.	1
EX-E	BUSHING	4
EX-Z	MOUNTING BRACKET	2
EX-G	3/8" x 3" HEX CAP BOLT	2
EX-H	#10 x 5/8" SELF TAPPING SCREW	12
EX-J	#10 x 1" MOUNTING SCREW	24
EX-K	3/8" NYLON LOCKNUT	2
EX-L	3/8" FLAT WASHER	4
EX-M	LARGE BLACK DOME CAP	2
EX-N	SMALL BLACK DOME CAP	36
EX-P	3/8" WRENCH	1
EX-R	FOAM GRIP (PRE-INSTALLED)	2
EX-T	PIVOT ARM CAP (PRE-INSTALLED)	2

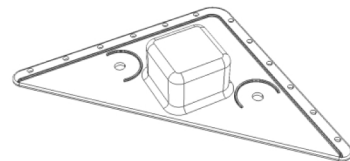


### Recommended Tools

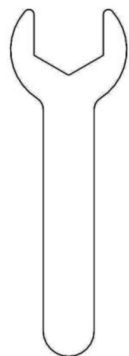
- Ruler or Square
- Drill w/ bits
- Ratchet
- 3/8" Extended socket
- 3/8" Wrench
- Flat or Phillips head screwdriver



EX-E x 2



EX-Z x 2



EX-P x 2



EX-G x 2



EX-K x 2



EX-M x 2



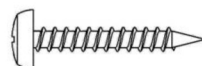
EX-H x 12



EX-L x 4



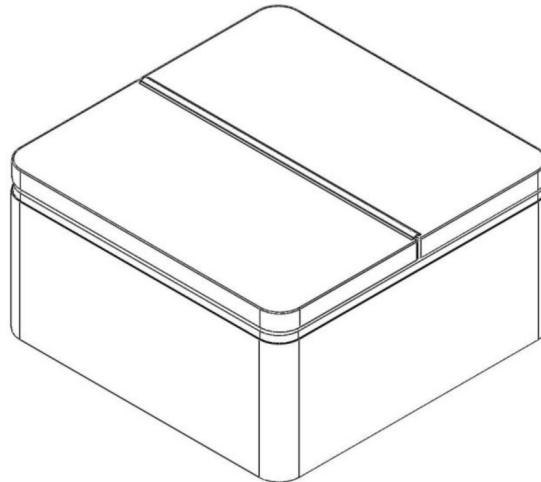
EX-N x 36



EX-J x 24

Figure 1

2. Position the spa cover (in the closed position) on the spa, making sure that all four corners are properly positioned and square on the spa. See Fig 2.

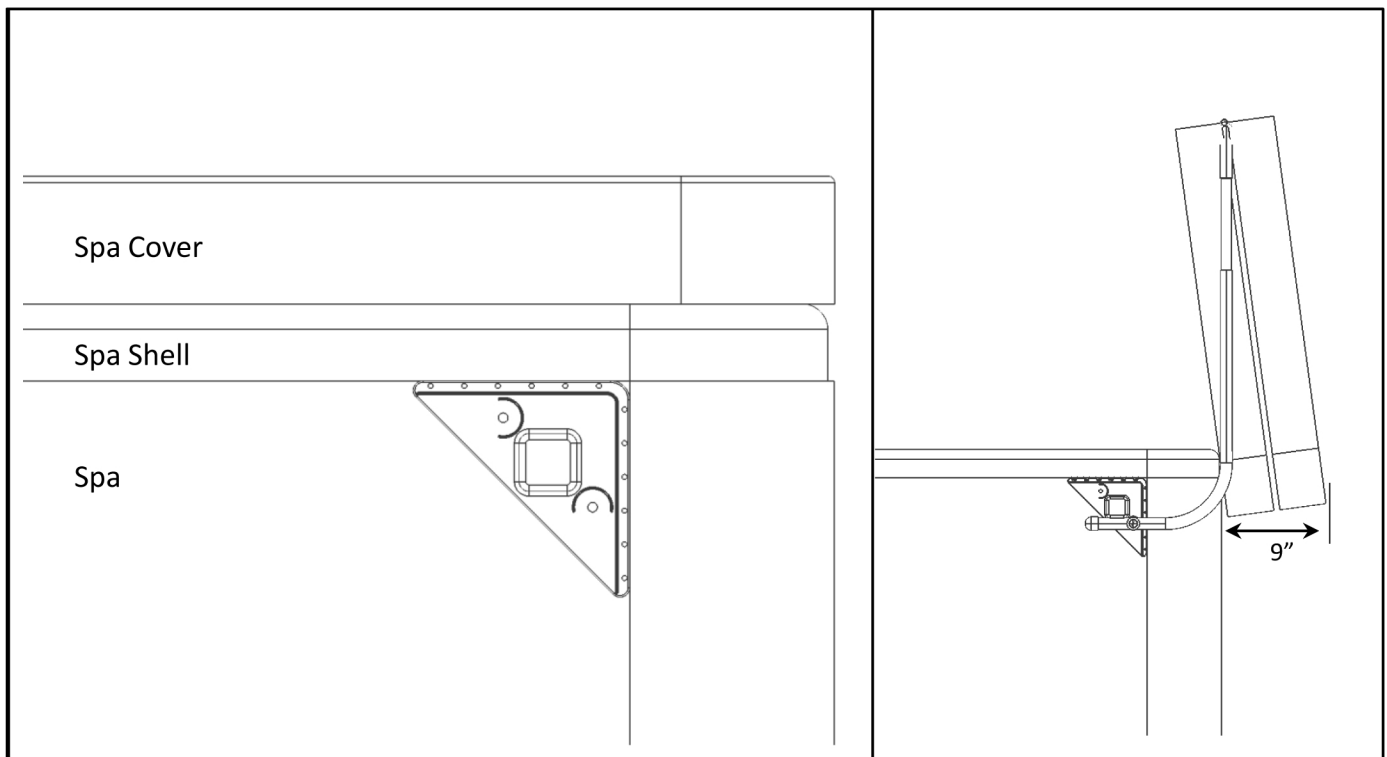


**Figure 2**

3. Attach the Mounting Brackets (EX-Z) to the left and right sides of the spa with the #10 x 1" Mounting Screws (EX-J). The top edge of the Mounting Brackets (EX-Z) are mounted in line with the bottom of the acrylic shell, and the back edge is aligned with the beginning of the rounded corner of the spa cabinet.

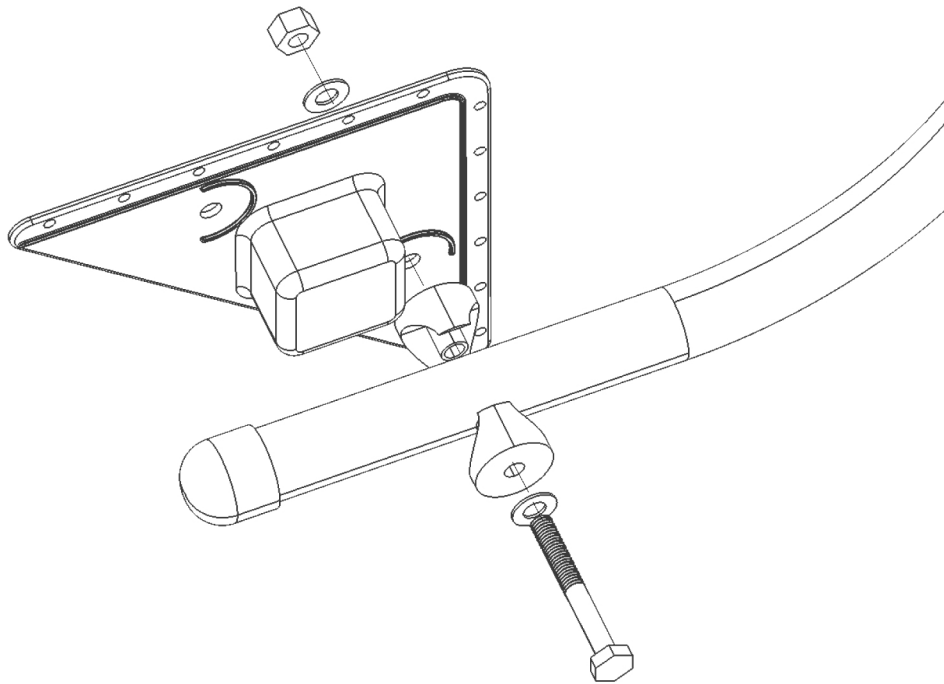
Approximately 9" of clearance is needed behind the spa. At this position, approximately 75% of the spa cover will be standing above the spa surface when lifted as shown in Fig 3A.

**Caution: To prevent splitting of the wood cabinet, pre-drill the mounting holes with a 1/16" drill bit.**



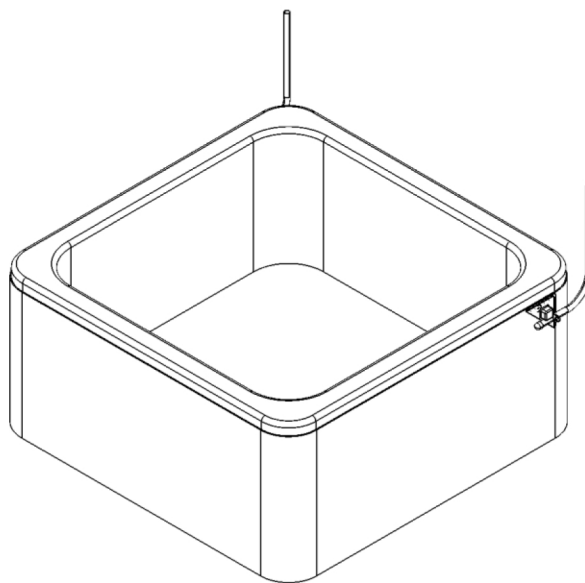
**Figure 3A**

4. Connect the Pivot Arm (EX-B) and two Bushings (EX-E) to the Mounting Brackets (EX-Z), using one 3/8" x 3" Hex Cap Bolt (EX-G), two 3/8" Flat Washers (EX-L), and one 3/8" Nylon Locknut (EX-K), as shown in Fig 4.  
**Note: If necessary, slide the provided 3/8" Wrench (EX-P) behind the Mounting Bracket (EX-Z) to tighten the 3/8" Nylon Locknut (EX-K).**



**Figure 4**

5. Repeat Step 4 for the other side of the spa. After installing the Pivot Arms (EX-D), tilt them into the upright position. See Fig 5.



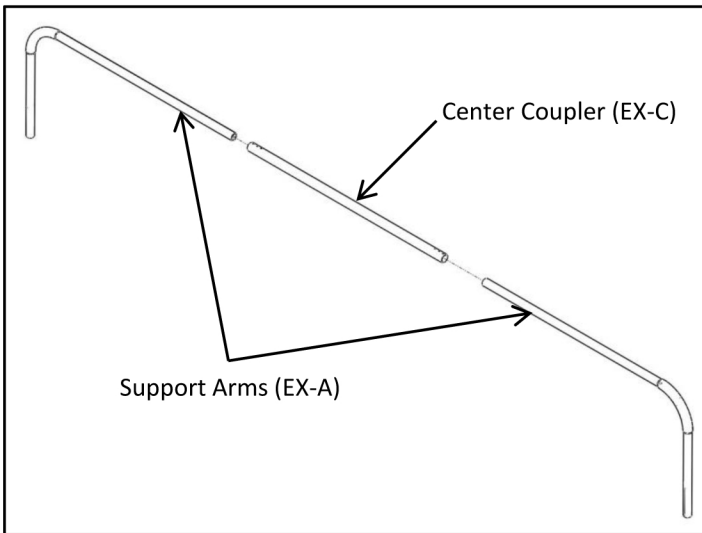
**Figure 5**

6. Insert the long arms of the Support Arms (EX-A) into the ends of the Center Coupler (EX-C) as shown in Fig 6A.

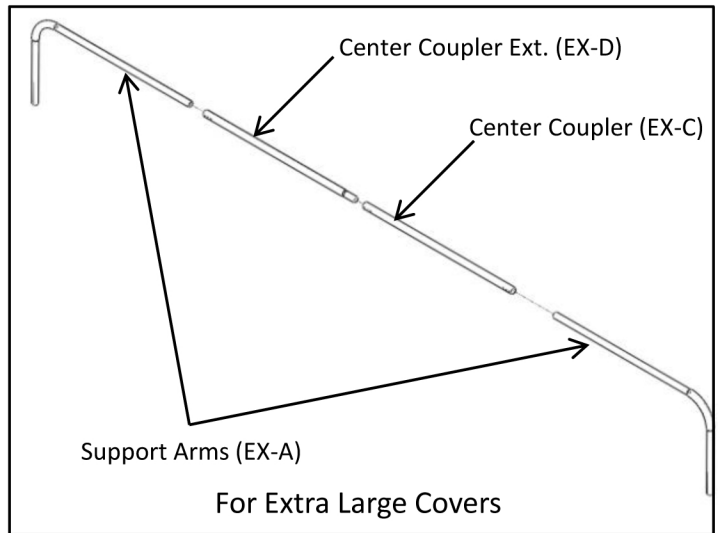
**Note:** For narrow covers, flip the Support Arms (EX-A) and insert the short side of the Support Arm (EX-A) into the Center Coupler (EX-C).

To accommodate extra large covers use the Center Coupler Extension (EX-D).

In this case, insert the small end of the Center Coupler Extension (EX-D) into one end of the Center Coupler (EX-C). Then insert the long arms of the Support Arms (EX-A) into the ends of the Center Coupler Assembly. See Fig 6B.



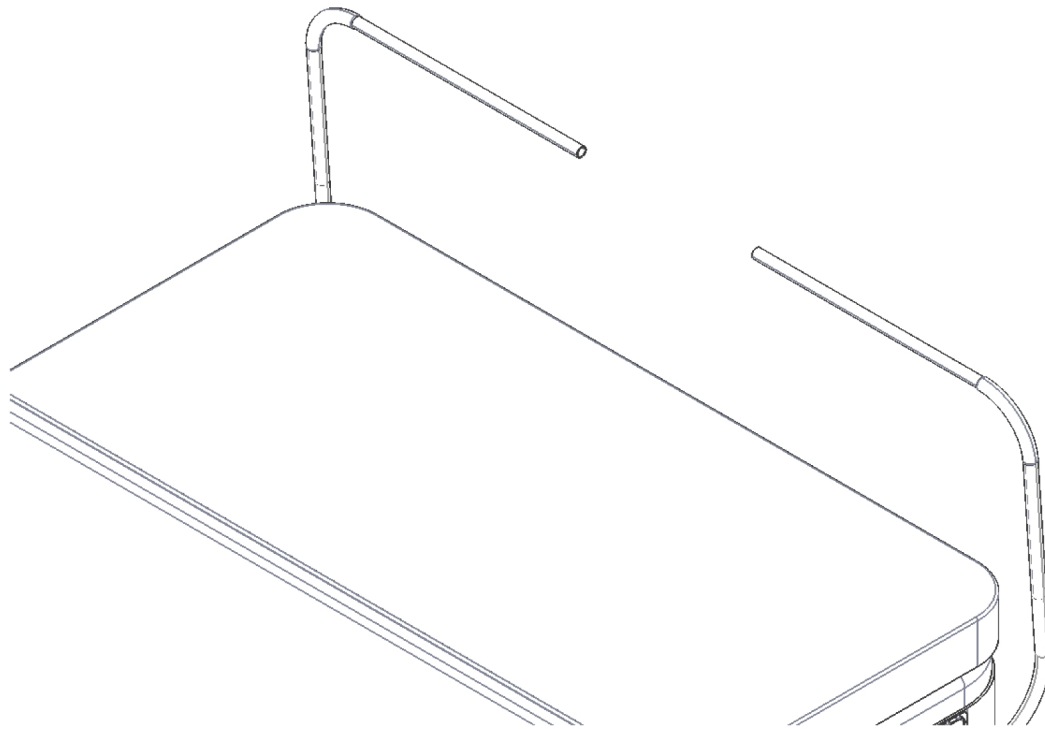
**Figure 6A**



**Figure 6B**

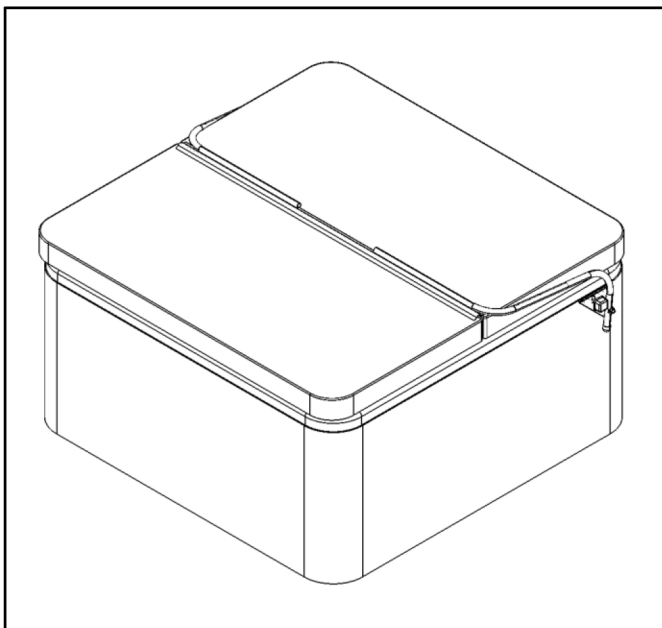


7. Insert the short arms of the Support Arms (EX-A) into the Pivot Arms (EX-B). See Fig 7.

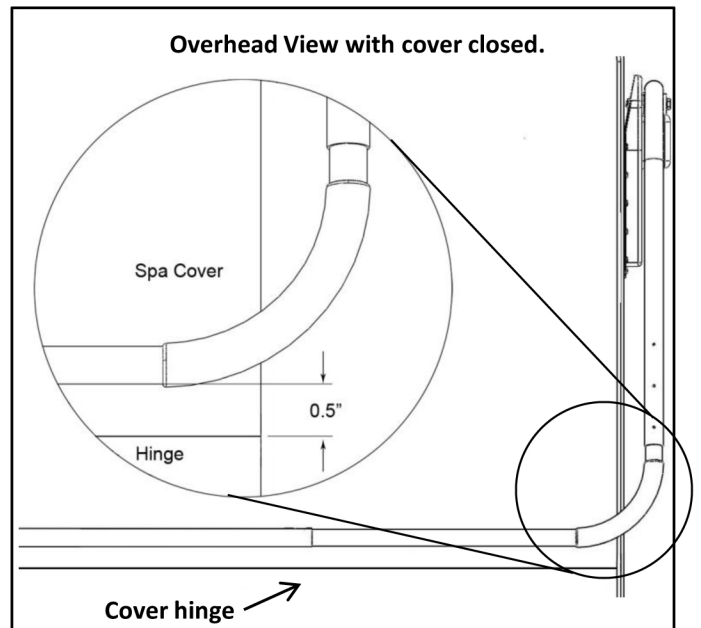


**Figure 7**

8. Lay the Cover EX on the spa cover, see Fig 8A. Adjust the Support Arms (EX-A) so that they are lying parallel to the spa cover hinge approximately  $\frac{1}{2}$ " away. See Fig 8B.



**Figure 8A**



**Figure 8B**

9. Use the #10 x 5/8" Self Tapping Screws (EX-H) to fasten the Support Arms (EX-A) to the Pivot Arms (EX-B).

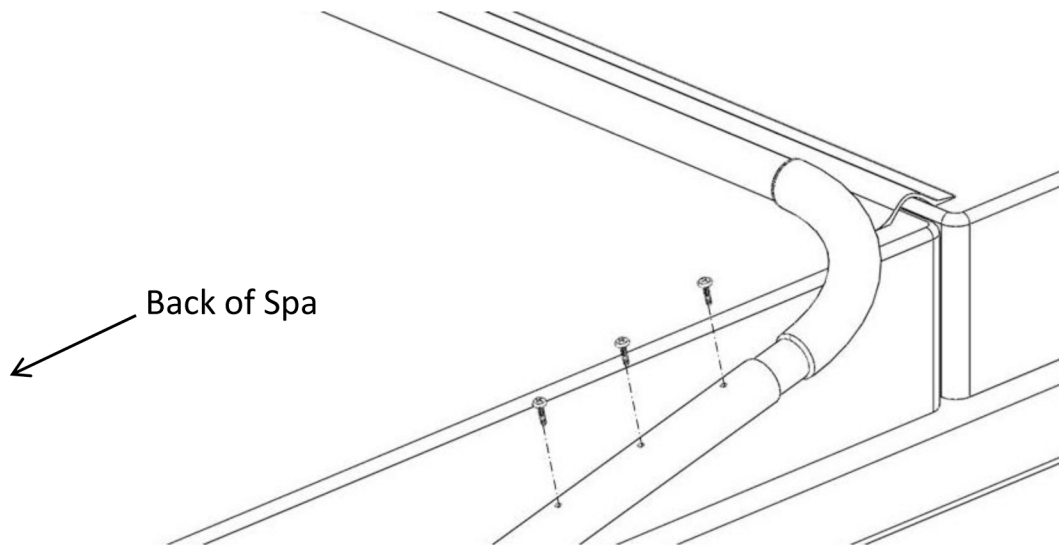


Figure 9

10. Press the decorative Large Black Dome Caps (EX-M) over the heads of the 3/8" x 3" Hex Cap Bolts. Then press the decorative Small Black Dome Caps (EX-N) over the heads of all exposed #10 screws (EX-H and EX-J). You may need a small amount of glue/epoxy depending on the climate. See Fig 10.

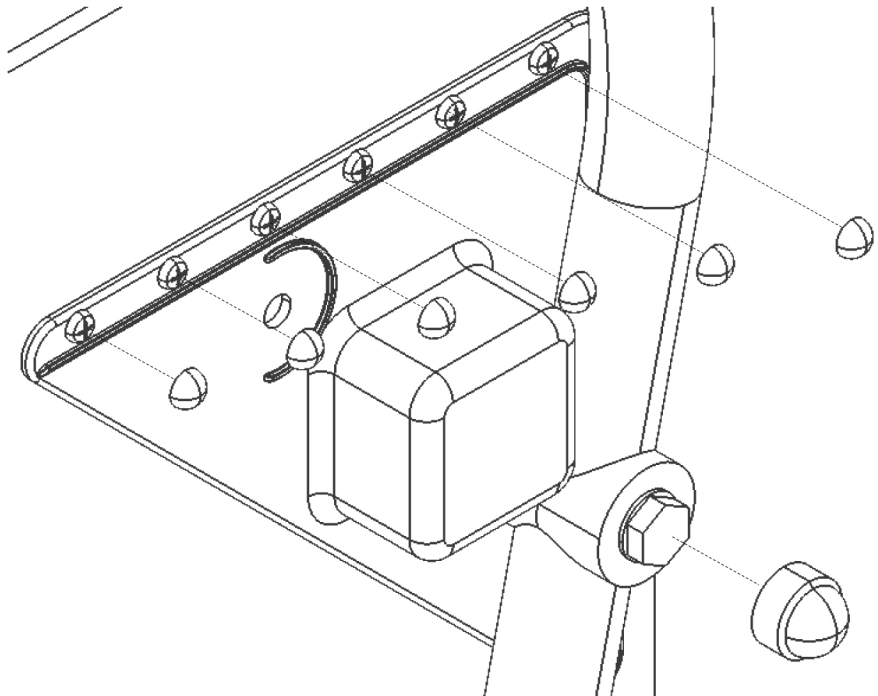


Figure 10

## COVER EX-SD MAINTENANCE INSTRUCTIONS

The Cover EX-SD was designed for a specific use. The Cover EX-SD is not designed to BEND, WARP, or to be ABUSE PROOF. **Do Not stand, sit, or lie on, or permit heavyweight to rest on the Cover SD-EX.** Do not clean with abrasives, solvents, or strong detergents. Most of the hardware has been Zinc coated for durability, but will deteriorate quicker when exposed to high levels of Chlorine, Bromine, Ozone, or other active chemicals. Check nuts and bolts often and tighten if necessary. Any parts showing evidence of wear should be replaced immediately.

**Call 1-800-730-7727 or (001) (562) 283-0595 for any replacement or special order parts.**

Caution must be used when operating the Cover EX-SD in order to maintain its function and longevity. The maintenance and use instructions are provided to prevent damage to the Cover EX-SD. Damage caused by the failure to follow the maintenance and operation instructions will not be covered by the manufacturer's warranty.

---

## COVER EX-SD OPERATION INSTRUCTIONS

How to **OPEN** your spa cover using the Cover EX-SD:

1. Fold spa cover onto itself.
2. Lift Cover EX-SD and spa cover to upright position by lifting at the Foam Grip (T) on the Support Arm (EX-A), while supporting the middle of the cover with the other hand. The Pivot Arm will stop when it contacts the Mounting Bracket (EX-Z).

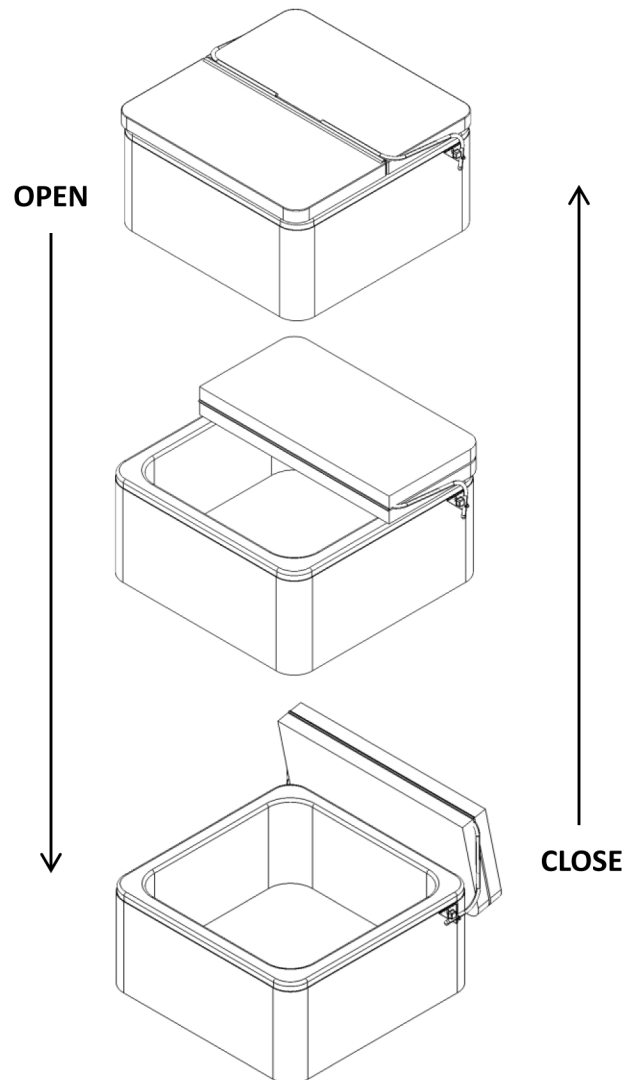
How to **CLOSE** your spa cover using the Cover EX-SD:

1. With the spa cover in the upright position, hold the Foam Grip (T) on the Support Arm (EX-A), and slowly guide the cover and Cover EX-SD onto the spa shell. **NEVER** allow the spa cover to fall onto the spa shell unassisted, as it can cause damage to your Cover EX-SD, spa, and/or spa cover!
2. Unfold the spa cover off itself and engage the spa cover locks if available.

### CAUTION!!

**DO NOT USE THE COVER EX-SD IN HIGH WIND CONDITIONS. DOING SO COULD CAUSE THE COVER TO FALL. DAMAGE TO THE SPA/COVER/COVER EX-SD, OR INJURY TO THE OCCUPANTS MAY OCCUR.**

**NEVER LEAVE AN UNCOVERED HOT TUB OR SPA UNATTENDED.  
NEVER LEAVE A COVERED HOT TUB OR SPA UNLOCKED.**



**California Home Spas, Inc.**  
**Cover EX-SD 5-Year Limited Warranty**

Any Cover EX-SD shown to be unserviceable due to defects in materials or workmanship within 5 years from the date of purchase will be repaired or replaced at the option of California Home Spas, INC, without charge for labor or materials. (This excludes the cost of freight to and from the manufacturer).

**EXCLUSIONS:**

- A. This warranty does not cover damage incurred by the use of the Cover EX-SD and/or the spa cover, other than in accordance with the printed literature provided by California Home Spas, INC.
- B. Defects in components of any part, which are not part of the Cover EX-SD.
- C. Misuse, abuse, negligence, accident, or alterations other than authorized by California Home Spas, INC.
- D. Improper installation, normal fading and minor deterioration caused by exposure to the sun, rain, chemicals or environmental factors.
- E. Use of solvents, abrasive cleaners or brushes, and strong detergents.

**Except as expressly provided, there shall be no additional warranty obligation expressed or implied oral or statutory**

**ADDITIONS:**

- A. California Home Spas, INC. shall not be liable for consequential damages or incidental expenses resulting from any breach of the before mentioned warranties.
- B. This warranty gives you specific legal rights and you may have other rights which can vary in different states and countries.
- C. Any dispute between the Buyer and California Home Spas, INC. pertaining to this warranty may, at the option of the Buyer, be resolved in the State of California, USA, in according to the rules of the American Arbitration Association.
- D. Should any one or more of the terms, provisions, covenants, or conditions of this warranty be determined void, invalid, illegal, or unlawful in any respect, then it shall be so, however it will not affect any of the other terms or provisions of this warranty and the remainder hereof shall still be in effect.
- E. California Home Spas, INC. shall not be liable for any shipping costs of replacement parts, hardware, or complete units covered under the warranty.

---

**COVER EX-SD WARRANTY REGISTRATION FORM**

**Complete and return within (10) days. Please type or print clearly. Incomplete and/or unreadable forms may not be registered.**  
**You can also register your warranty online at [www.covervalet.com](http://www.covervalet.com)**

Owners Name: \_\_\_\_\_

Address: \_\_\_\_\_

Phone Number: (\_\_\_\_\_) \_\_\_\_\_

E-Mail Address: \_\_\_\_\_

Date of Purchase: \_\_\_\_\_ Dealer's Name: \_\_\_\_\_

How did you hear about us?

- |                           |                    |                             |
|---------------------------|--------------------|-----------------------------|
| 1. Dealer _____           | 4. Home Show _____ | 7. Other _____              |
| 2. Showroom Display _____ | 5. Magazine _____  | 8. Internet (website) _____ |
| 3. Friend _____           | 6. T.V. _____      | _____                       |

For more information, Please contact us at: **Cover Valet**  
**1621 East Spring Street.**  
Visit us at: [www.CoverValet.com](http://www.CoverValet.com) **Long Beach, CA. 90806 USA**

**Toll free: 1-800-730-7727**  
**International: (001) (562) 283-0595**  
**E-mail: [Questions@covervalet.com](mailto:Questions@covervalet.com)**